

## LABORATORY FITTINGS



## EMERGENCY SAFETY SHOWER



**LAB DIVISION**





## LAB DIVISION

means tailor-made solutions for your modern laboratory  
offers very good service  
has a complete range of products  
has the ability to listen to Customers  
has the capability to offer real solutions in short notice



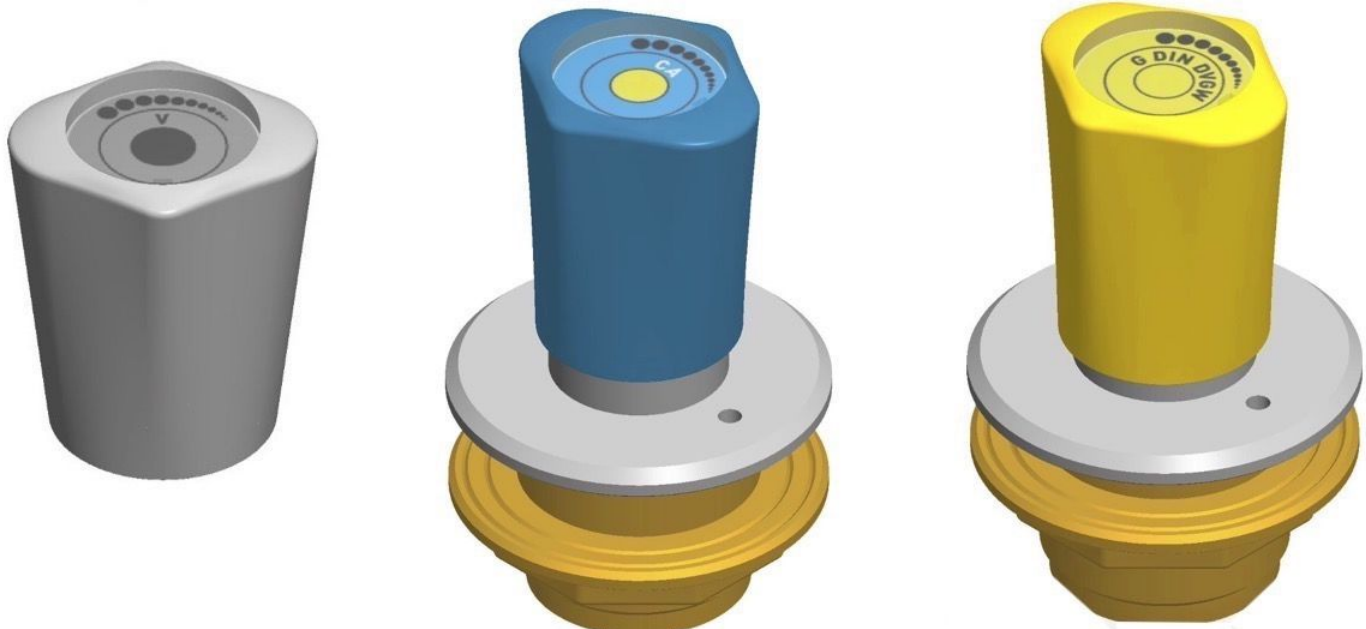
**MORE CUSTOM MADE**  
**MORE EFFICIENCY**  
**MORE QUALITY**  
**MORE SERVICE AFTER SALES**  
**MORE PLUG & PLAY**



# COLOUR CODE CHART FOR LABORATORY TAPS HANDLES

## DIN 13792

Water	Irrigation water WBE 1) Green 2) Green 3) Yellow	Hot drinking water WTW 1) Green 2) Green 3) Red	Cold drinking water WTK 1) Green 2) Green 3) Blue	Well water WBR 1) Green 2) Yellow 3) Yellow	Hot industrial water WSW 1) Green 2) Yellow 3) Red	Cold industrial water WBK 1) Green 2) Yellow 3) Blue	Steam water WDW 1) Green 2) Red 3) Red	Condensate water WDK 1) Green 2) Red 3) Blue	Pure hot water WRW 1) Green 2) Red 3) White	Return cooling water WKR 1) Green 2) Blue 3) Red	
	Cooling water WKV 1) Green 2) Blue 3) Blue	Pure cold water WRK 1) Green 2) Blue 3) White	Hot surface water WOW 1) Green 2) Black 3) Red	Cold surface water WOK 1) Green 2) Black 3) Blue	Hot demineralised water WEW 1) Green 2) Grey 3) Red	Cold demineralised water WEK 1) Green 2) Grey 3) Blue	Hot fresh water WFW 1) Green 2) White 3) Red	Cold fresh water WFK 1) Green 2) White 3) Blue	Distilled water WDE 1) Green 2) White 3) White		
Burning Gas	Town gas G 1) Yellow 2) Yellow 3) Yellow	Propane/Butane LPG (cylinder) 1) Yellow 2) Red 3) Yellow	Methane CH <sub>4</sub> 1) Yellow 2) Blue 3) Yellow	Propane C <sub>3</sub> H <sub>8</sub> 1) Yellow 2) Blue 3) Red	Butane C <sub>4</sub> H <sub>10</sub> 1) Yellow 2) Blue 3) Blue	Ethylene C <sub>2</sub> H <sub>4</sub> 1) Yellow 2) Black 3) Green	Propylene C <sub>3</sub> H <sub>6</sub> 1) Yellow 2) Black 3) Red	Butylene C <sub>4</sub> H <sub>8</sub> 1) Yellow 2) Black 3) Black	Acetylene C <sub>2</sub> H <sub>2</sub> 1) Yellow 2) White 3) Green		
	Burning gas Gas mixtures	Argon/Methane AR CH <sub>4</sub> 1) Red 2) Yellow 3) Grey	Hydrogene/Nitrogene H <sub>2</sub> /N <sub>2</sub> 1) Red 2) Red 3) Green	Hydrogene H <sub>2</sub> 1) Red 2) Red 3) Red	Silan SiH <sub>4</sub> 1) Red 2) Red 3) Black	Hydrogene/Hellium H <sub>2</sub> /He 1) Red 2) Red 3) Grey	Deuterium D <sub>2</sub> 1) Red 2) Grey 3) White	Nitrogene N <sub>2</sub> 1) Blue 2) Green 3) Green	Nitrogene monoxide N <sub>2</sub> O 1) Blue 2) Green 3) Blue	Sint. Air 80/20 LS 1) Blue 2) Blue 3) Green	Compressed air LD 1) Blue 2) Blue 3) Yellow
Not burning gas including combustion supportin gases		Oxygene O <sub>2</sub> 1) Blue 2) Blue 3) Blue	Carbon dioxide CO <sub>2</sub> 1) Blue 2) Blue 3) Black	High pressure air LP 1) Blue 2) Blue 3) Grey	Breathing air LA 1) Blue 2) Blue 3) White	Carbogen CB CO <sub>2</sub> /H <sub>2</sub> 1) Black 2) Black 3) Blue	Krypton KR 1) Blue 2) Grey 3) Yellow	Xenon XE 1) Blue 2) Grey 3) Red	Neon NE 1) Blue 2) Grey 3) Black	Argon AR 1) Blue 2) Grey 3) Grey	Helium HE 1) Blue 2) Grey 3) White
	Toxic gases	Ammonia NH <sub>3</sub> 1) Black 2) Green 3) Red	Nitrogene dioxide NO <sub>2</sub> 1) Black 2) Green 3) Blue	Hydrogene sulphide H <sub>2</sub> S 1) Black 2) Red 3) Yellow	Arsin AsH <sub>3</sub> 1) Black 2) Red 3) Black	Phosfine PH <sub>3</sub> 1) Black 2) Red 3) Grey	Hydrochloric acid HCL 1) Black 2) Red 3) White	Sulphurous acid SO <sub>2</sub> 1) Black 2) Blue 3) Yellow	Carbon monoxide CO 1) Black 2) Blue 3) Black	Phosgene COCl <sub>2</sub> 1) Black 2) Black 3) White	Chloride Cl <sub>2</sub> 1) Black 2) White 3) White
Vacuum and others		Vacuum 1000 fino 1 mbar V 1) Grey 2) Grey 3) Black	Low vacuum 1 fino x 10 <sup>-3</sup> mbar VF 1) Grey 2) Grey 3) Grey	High vacuum 10 <sup>-3</sup> fino x 10 <sup>-7</sup> mbar VH 1) Grey 2) Grey 3) White	Formaldehyde solution CH <sub>2</sub> O 1) White 2) Red 3) Green	Propanol C <sub>3</sub> H <sub>7</sub> O 1) White 2) Red 3) Yellow	Methanol CH <sub>3</sub> O 1) White 2) Red 3) Blue	Acetone C <sub>3</sub> H <sub>6</sub> O 1) White 2) Red 3) Grey	Trichloroethylene C <sub>2</sub> HCl <sub>3</sub> 1) White 2) Red 3) White	Perchloric acid HClO <sub>4</sub> 1) White 2) White 3) Red	





# The **EASIEST** *ready to use* **SYSTEM**

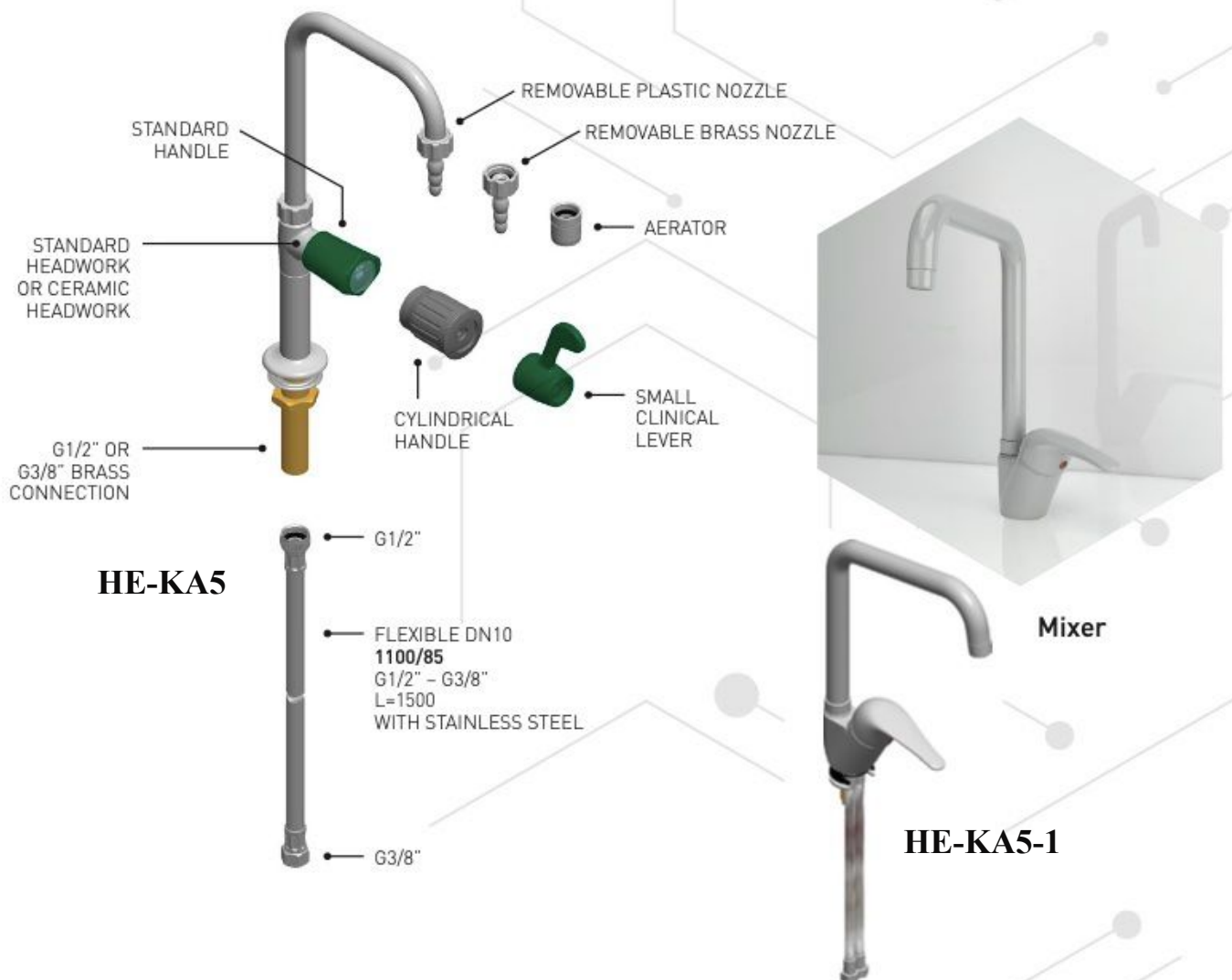
Highly performing, very simple, effective no frills.

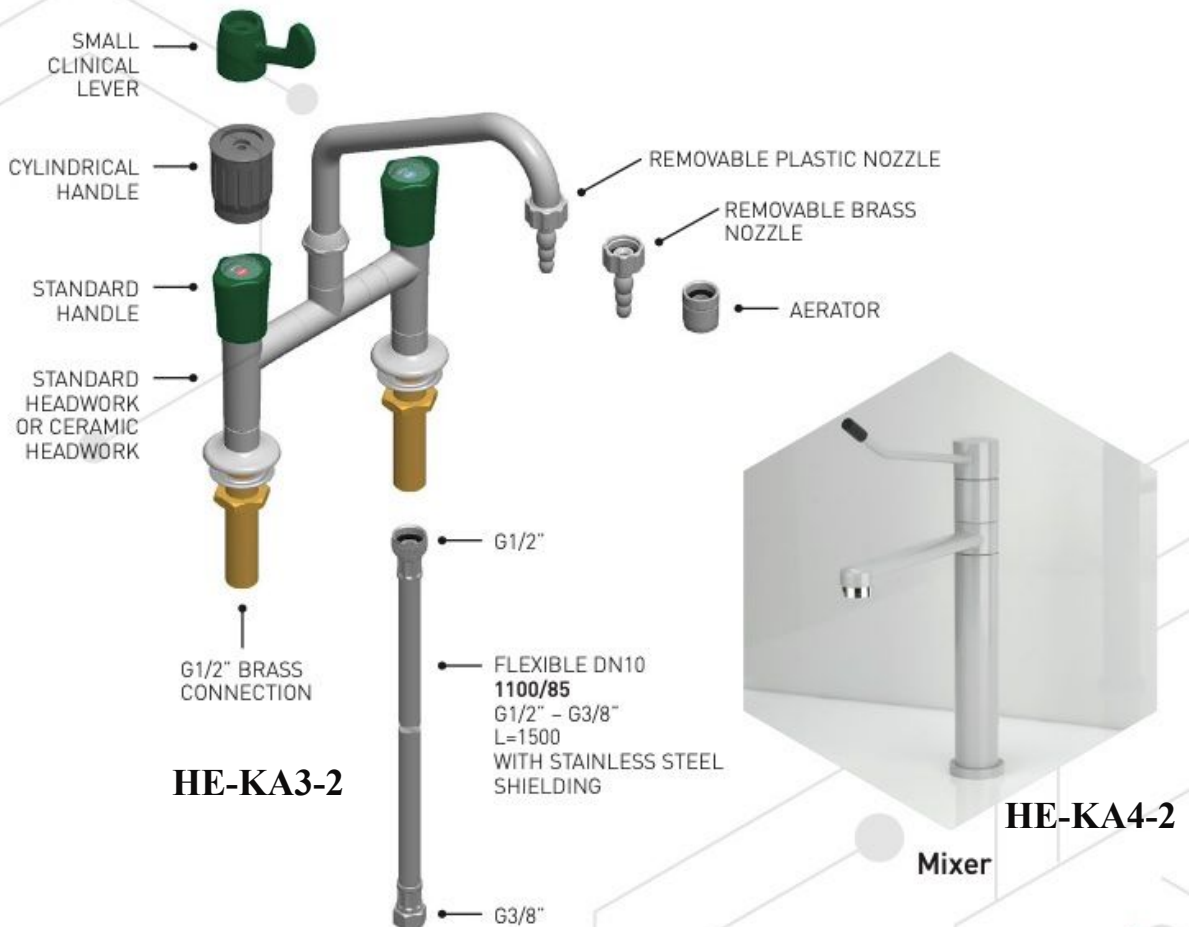
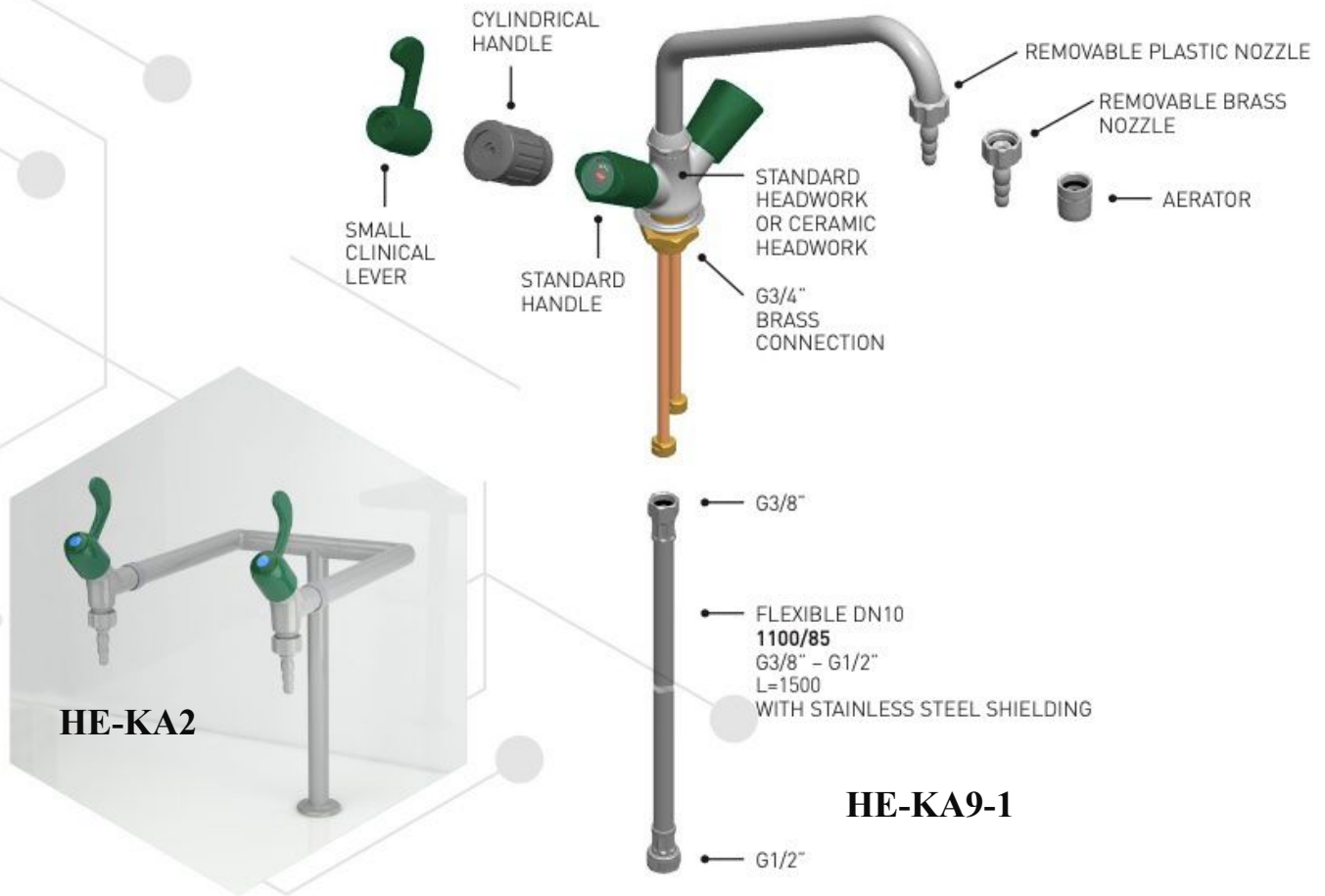
Different epoxy coating colours available, special treatment for demi water available.

Quick & flex system is applicable on the complete range of taps and fume hoods valves.

Different customizations upon requirement.

## WATER TAPS





# LABORATORY FITTINGS

Complies with international standards  
Interchangeable components  
Made in brass (P-Cu Zn40 Pb2 UNI 5705-65)  
Epoxy coating in RAL 7001

## WATER

- Connections: G3/8, G1/2, G3/4 standard UNI ISO 228/1
- Olive-shaped nozzle - DIN 12898
- Normal regulation headwork or with ceramic closure
- Max. working pressure 10 bar
- Optional: chemical nickel treatment

## DEMIWATER

- Connections: G3/8, G1/2, standard UNI ISO 228/1
- Olive-shaped nozzle DIN 12898
- Headwork with ceramic closing
- Quick connections available
- Polypropylene pipes  $\varnothing 8 \times 1$
- Max. pressure 10 Bar



**HE-KA13-5**



**HE-KA5**



**HE-KA9**



**HE-KA6**



**HE-KA10C**



**HE-KA7**



# LABORATORY FITTINGS

Complies with international standards  
 Interchangeable components  
 Made in brass (P-Cu Zn40 Pb2 UNI 5705-65)  
 Epoxy coating in RAL 7001

## WATER

- Connections: G3/8, G1/2, G3/4 standard UNI ISO 228/1
- Olive-shaped nozzle - DIN 12898
- Normal regulation headwork or with ceramic closure
- Max. working pressure 10 bar
- Optional: chemical nickel treatment

## DEMIWATER

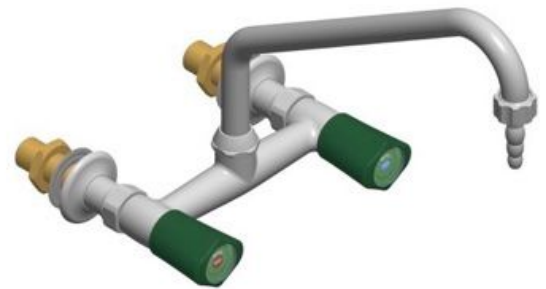
- Connections: G3/8, G1/2, standard UNI ISO 228/1
- Olive-shaped nozzle DIN 12898
- Headwork with ceramic closing
- Quick connections available
- Polypropylene pipes  $\varnothing$  8 x 1
- Max. pressure 10 Bar



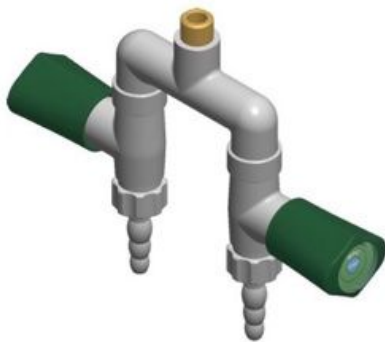
**HE-KA5-2**



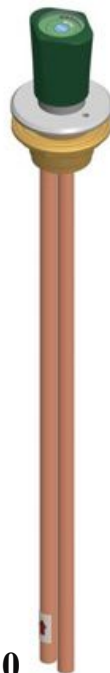
**HE-KA4S (ST. STEEL)**



**HE-KA3-3**



**HE-KA11-DC**



**HE-KA10**



**HE-KA10-1**



**HE-KA10C**

# LABORATORY FITTINGS

Functioning from -30°C to 150 °C  
 Chemical resistance: extremely rare alterations  
 Saline fog test: no change  
 Kesternich test: no change  
 DIN 50018 standard  
 Possible chemical nickel treatment  
 Ergonomic handles with media colour coding according to standard DIN 13792

## BURNING GAS

- Connections: G3/8, G1/2, standard UNI ISO 228/1
- Fixed olive-shaped nozzle standard DIN 12898
- Headwork with ceramic closure and safety release requiring no maintenance
- Max. working pressure 0.2 bar
- DIN-DVGW standard
- Optional: chemical nickel treatment

HE-KB16



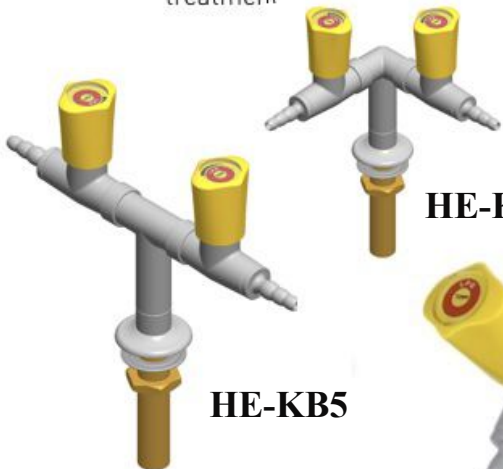
HE-KB4



HE-KB1

## LIQUID GAS

- Connections: G3/8, G1/2, standard UNI ISO 228/1
- R 3/8 and R 1/2 UNI ISO 7 (on demand)
- Fixed olive-shaped nozzle DIN 12898 standard
- Normal regulation headwork requiring no maintenance
- Front control valve available with pipe Ø 12 x 1 – Ø 10 x 1
- Max. operating pressure 2 bar
- Optional: chemical nickel treatment



HE-KB5

HE-KB5-1



HE-KB3-1

## VACUUM

- Connections: G3/8, G1/2 standard UNI ISO 228/1
- Fixed olive-shaped nozzle DIN 12898 standard
- Normal regulation headwork requiring no maintenance
- Optional: Chemical nickel treatment  
Precision regulation headwork

HE-KB10



HE-KB4



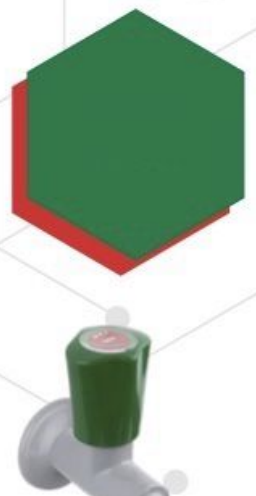
HE-KB3-1

## STEAM

- Connections: G3/8, G1/2, standard UNI ISO 228/1
- Fixed olive-shaped nozzle DIN 12898
- Fine regulation headwork requiring no maintenance
- Max. operating pressure 4 bar
- Operating temperature <math>\leq -125^{\circ}\text{C}</math>
- Optional: Chemical nickel treatment



HE-KB3-1



HE-KB1





### COLLEGE

- The new line of fittings named "College" is the answer to the market demand of fittings to be installed in school Labs.
- "College" fittings are available for burning gas, technical gas, compressed air and vacuum.
- The handle having an ergonomic design is installed on a "press&turn" safety headwork system.
- Max. operating pressure: 7BAR/100 psi
- Connection thread: G 1/2"
- Fixed olive type nozzle according to DIN 12898
- Optional: Chemical nickel treatment



**HE-KB10-1**



**HE-KB10-2**

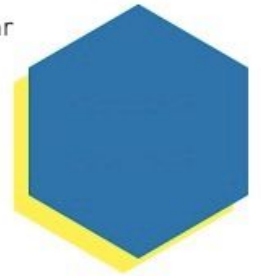


**HE-KB10-4**



### COMPRESSED AIR

- Connections: G3/8, G1/2, standard UNI ISO 228/1
- Fixed olive-shaped nozzle DIN 12898
- Removable nozzle
- Fine regulation headwork requiring no maintenance
- Remote control available with pipe  $\varnothing$  12 x 1 –  $\varnothing$  10 x 1
- Max. operating pressure 10 bar
- Optional: Chemical nickel treatment



**HE-KB3-1**



**HE-KB4**



**HE-KB5-1**

### INDUSTRIAL GAS

- Connections: G3/8, G1/2, standard UNI ISO 228/1
- Fixed olive-shaped nozzle DIN 12898
- Removable nozzle
- Fine regulation headwork requiring no maintenance
- Max. operating pressure 10 bar
- Optional: Chemical nickel treatment



**HE-KB10**



**HE-KB4**

# LABORATORY FITTINGS

## FITTINGS

- Fittings
- Reducers
- Remote valves



## VALVES

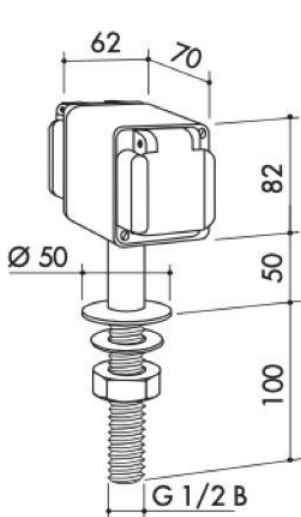
## ELECTRICITY DISTRIBUTION

- Electricity distribution turrets for "TAIS PALAZZOLI" type sockets
- To standards
- Various configurations available
- Mono-front / Bi-front
- Connections: G1/2 B, G3/4 B
- UNI ISO 228/1

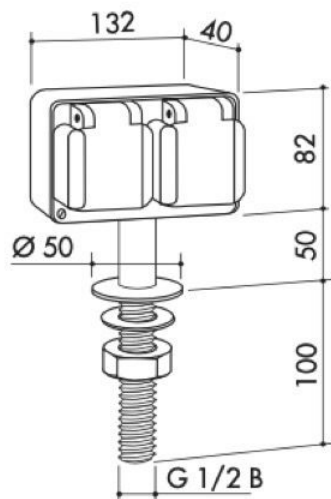
\*(sockets excluded)



## ELECT. STANDOUT



**SINGLE.**



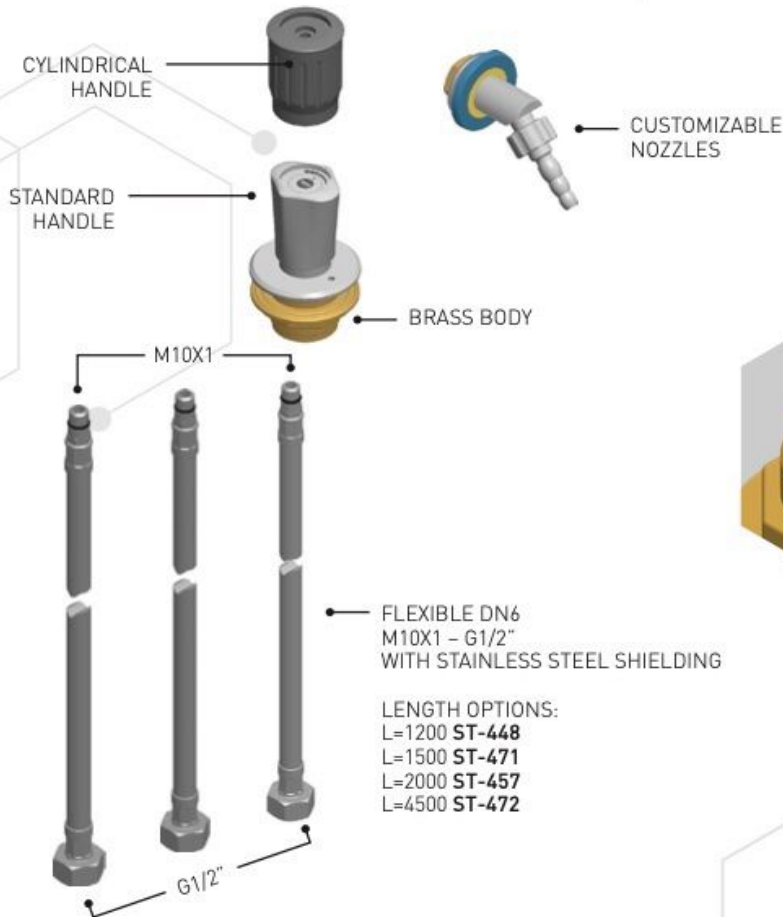
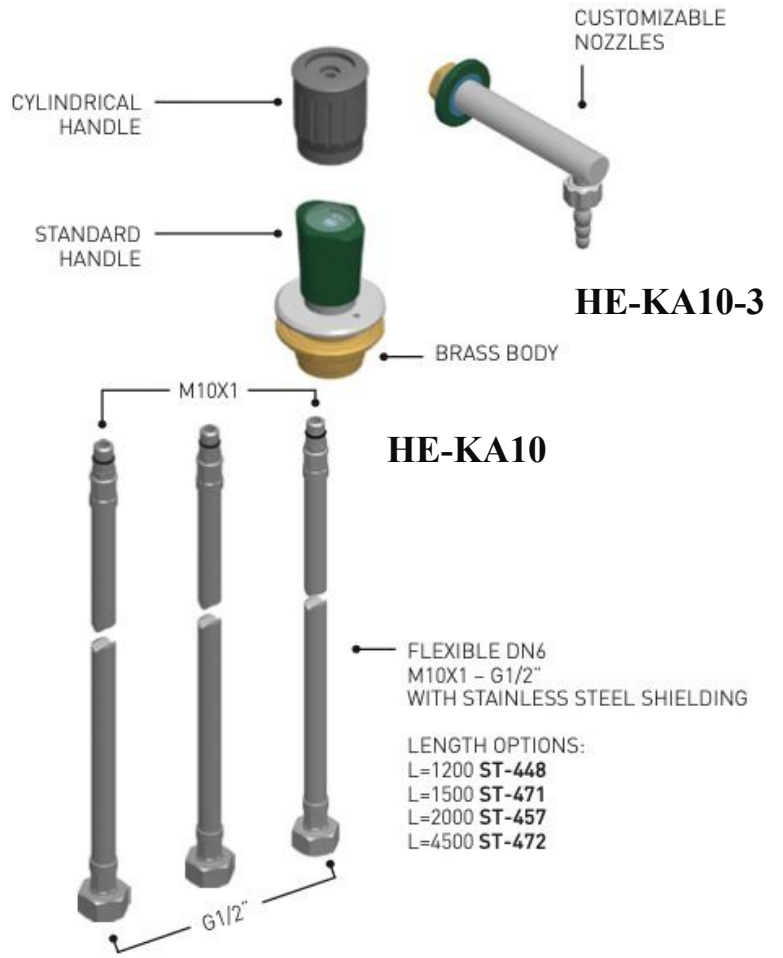
**DOUBLE**

DATA/ ELECT. STANDOUTS



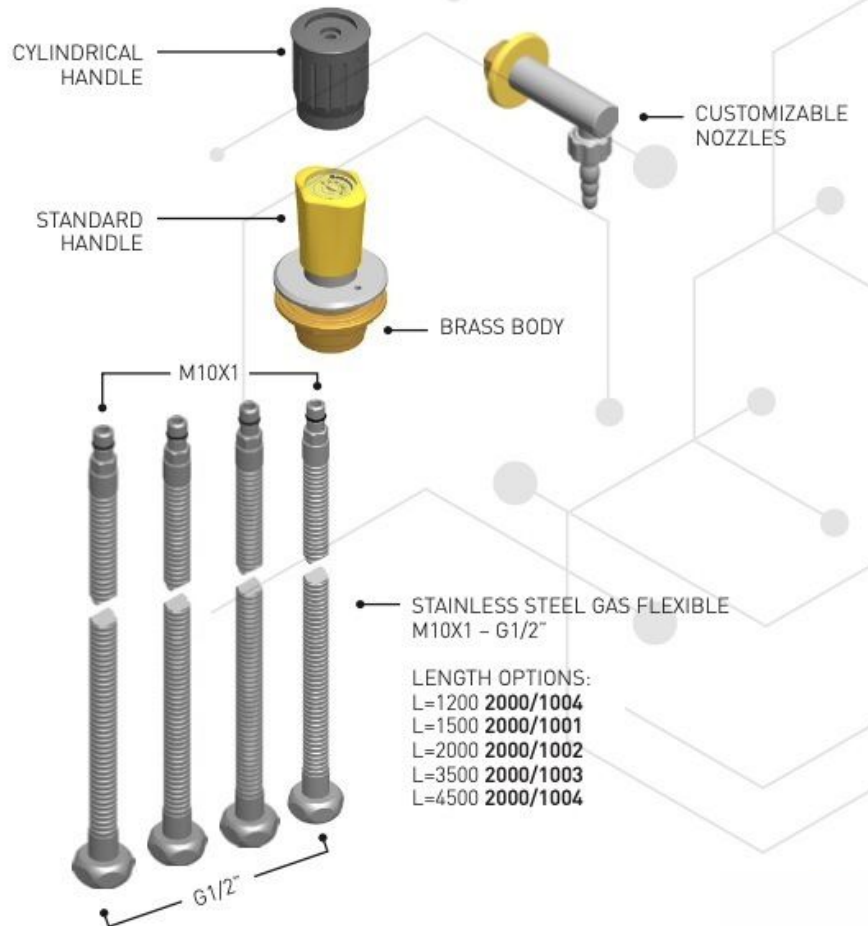
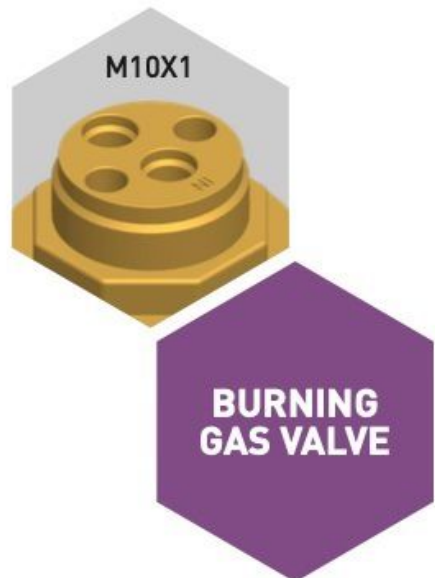
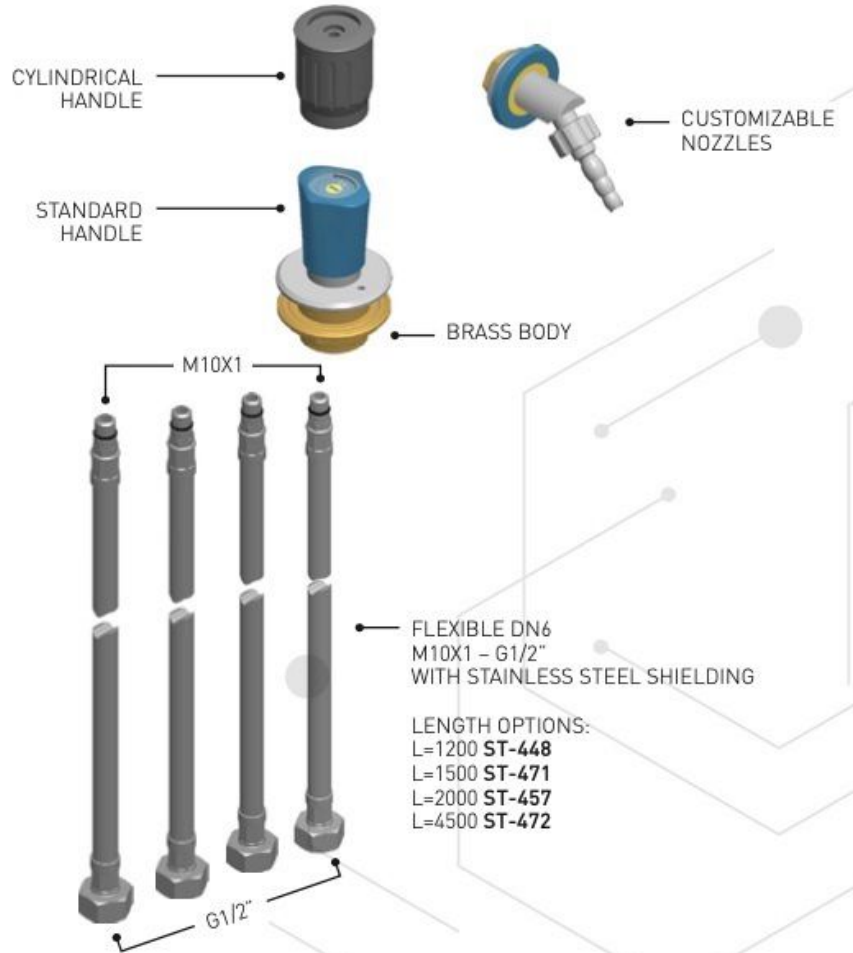
# FUME HOOD APPLICATION

## Water Vacuum



# FUME HOOD APPLICATION

## Compressed Air valve



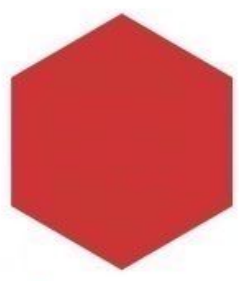
# SAFETY SHOWERS

The vast model range is made to international standards  
**CERT** EN 15154-1 e EN 15154-2  
 DIN 12 899 - UNI 9608

Available in **RED** and **GREEN**.

## EYE-WASHERS

- Bench or wall mounted, straight or inclined, single or double
- Brass body
- Anti-corrosive epoxy coating
- Open, regulated spray
- Continuous water flow operated by single action
- Min. pressure 2 Bar
- Capacity:  
 6l/min (single spray head)  
 12l/min (double spray head)



## SHOWERS AND EYE-WASHERS FOR BODY/EYES

- Installation: floor, wall or ceiling mounted
- Fast mounting of pre-assembled parts
- Easy maintenance of extractable, controllable parts.
- Materials: Pipes in galvanised steel, brass fittings, aluminium base ABS pedals, anti-corrosion epoxy coating
- Eye-washers with: aerated, regulated spray bowl in ABS or stainless steel
- Min. pressure 2 Bar
- Capacity: 30 L/min/ single head  
 12 L/min/ eye-washers



HE-KC2X



HE-KC1X



HE-KC22



HE-KC8



HE-KC4



HE-KC3



HE-KC6



HE-KC3-1



HE-KC11X





# LABORATORY TECHNICAL GAS SUPPLY

## LAB SYSTEM SERIE 3100/3101

Standard version regulator with gauge, inlet at rear, outlet downwards.  
May be combined with inlet shut-off valve, wall connector, metering valve  
and different gauges and diverse accessories.

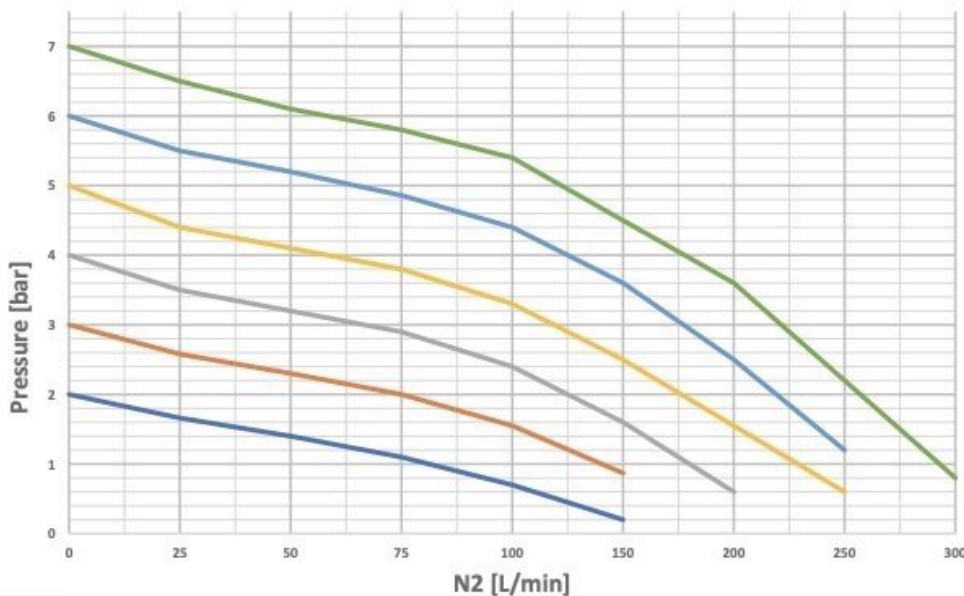
## APPLICATION

For wall, plate, suspended and bench mounting, with great variety  
of combinations, covering any

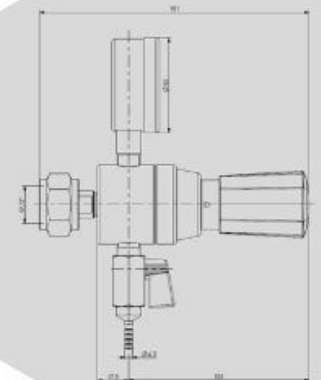
- Great variety of assembly possibilities in laboratory furniture due to the modular design of the LabSystems
- Gas type specific color indication labels according to DIN 13792
- Different inlet and outlet connections available (G1/2, G3/8)
- Technical gases and compressed air use
- Purity max. 6.0
- Check flow chart and details below**
- All pressure regulators feature a stainless steel membrane
- 100% made in Italy**

MAX Inlet pressure ..... 20BAR/290PSI  
 OUTLET pressure ..... 0.1-10BAR/1.45-145PSI  
 Body material ..... Chrome plated brass / Aisi 316L stainless steel  
 Temperature range..... FROM -20°C TO +60°C FROM -4°F TO +140°F  
 COLOUR code ..... DIN EN 13792  
 THREAD connection .... UNI EN ISO 228/1

## FLOW CHART



GAS  
EXPERTS



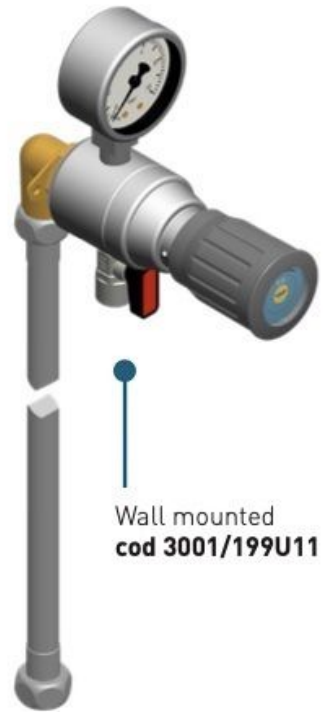
For standard configurations please refer to the item numbers below.



Plate assembly  
cod 3001/271U7



Wall mounted  
cod 3001/199XU3/1



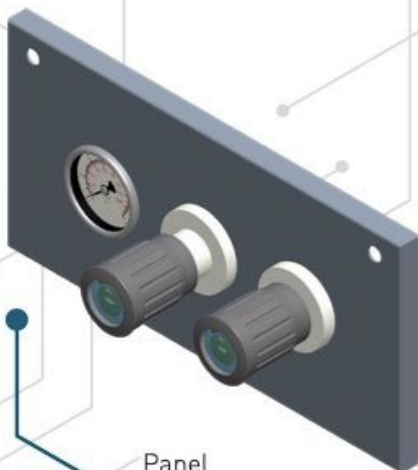
Wall mounted  
cod 3001/199U11



Bench version  
cod 3101/188



Bench version  
cod 3101/194U5



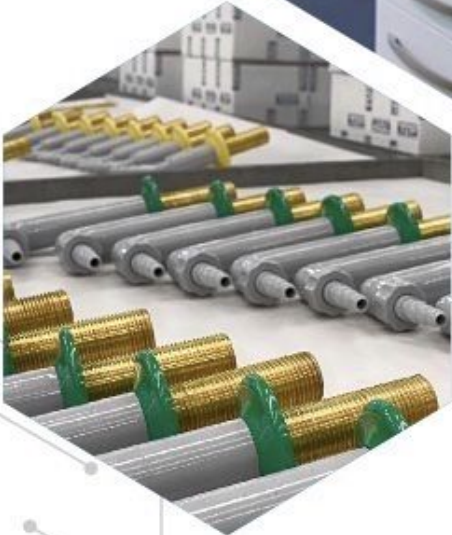
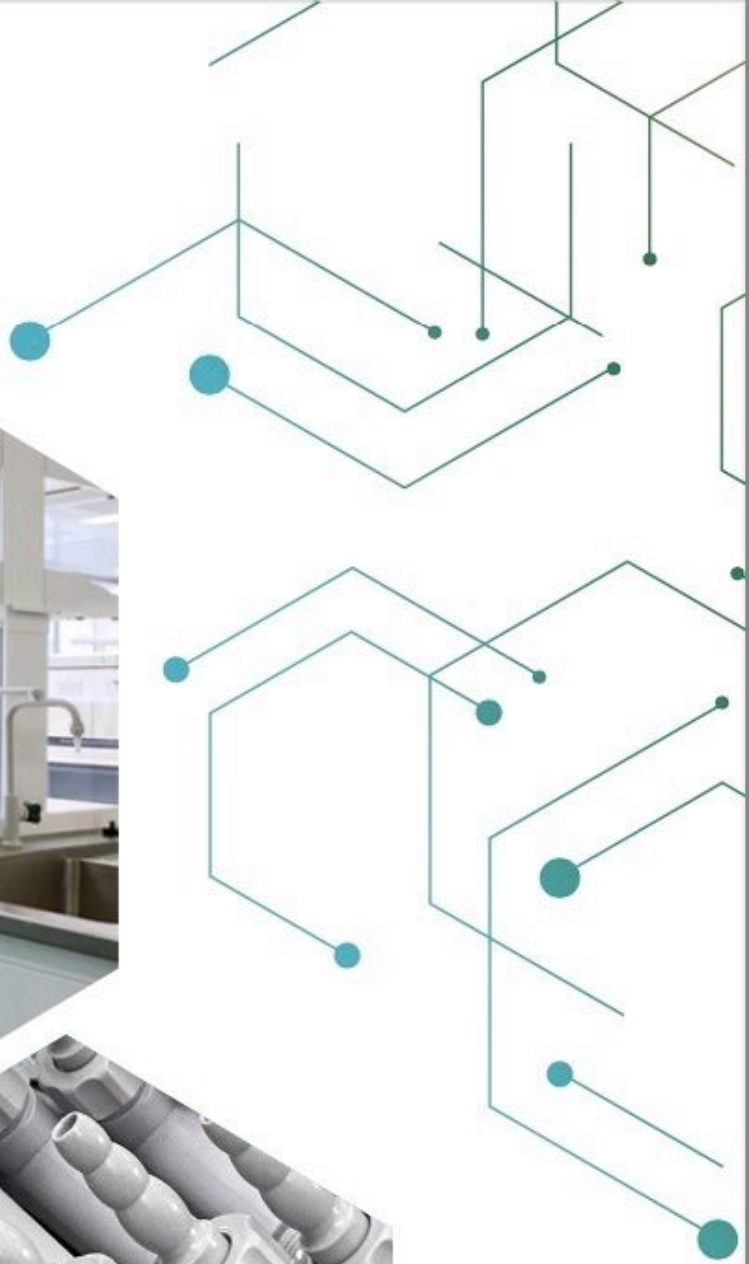
Panel  
cod 3101/330



Wall with micro-metric outlet valve  
cod 3101/192U9







**HERAIS** is committed to making sound decisions to manage our environmental footprint and protect the environment.



[www.heraiis.ca](http://www.heraiis.ca)



ACCREDITATION CANADA  
AGRÈMENT CANADA



**Herais**  
Lab Solutions

## **HERAIS INTERNATIONAL**

**TOTAL LABORATORY SOLUTIONS**

100 Bessemer. Rd., London, ON N6E 1R2 Canada

[www.herais.ca](http://www.herais.ca)

Tel: +1 519 800 1353

Email: [higt@windowlive.com](mailto:higt@windowlive.com)

[www.heraisprojects.com](http://www.heraisprojects.com)